



INDUSTRIAL BOLTING TOOLS | MADE IN THE USA

PH: 1-888-TORCUP-1
EMAIL: SALES@TORCUP.COM

WWW.TORCUP.COM

TOOL

VTR250



NEW PRODUCT: VOLTA-R 250

FAST, RELIABLE, REPEATABLE ACCURATE TORQUE NOW AVAILABLE FOR LOWER TORQUE APPLICATIONS FROM 60 LBS-FT TO 250 LBS-FT.

EXAMPLE APPLICATIONS:



SKI RESORTS / SNOW CATS



DIESEL GENERATORS



AUTO / LIGHT TRUCKS



SOLAR



AEROSPACE



MANUFACTURING



SMALL TRACTORS

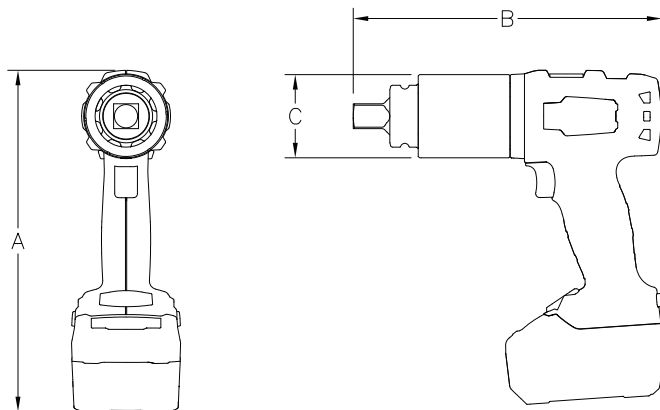


SKID STEERS



VALVES/FLANGES

MODEL NUMBER	VTR-250
SQUARE DRIVE	3/4"
MIN. TORQUE (LBF-FT)	60
MAX TORQUE (LBF-FT)	250
MIN. TORQUE (Nm)	80
MAX TORQUE (Nm)	340
HEIGHT A (w/BATTERY) (IN)	10.04"
HEIGHT A (w/BATTERY) (MM)	255
LENGTH B (IN)	9.27"
LENGTH B (MM)	235.4
DIAMETER C (IN)	2.50"
DIAMETER C (MM)	63.5
WEIGHT (w/o REACTION ARM & BATTERY) (LBS)	6.55
WEIGHT (w/o REACTION ARM & BATTERY) (KG)	2.97
WEIGHT (w/ REACTION ARM & BATTERY) (LBS)	10.85
WEIGHT (w/ REACTION ARM & BATTERY) (KG)	4.92
RPM AT MIN. TORQUE	25.75
RPM AT MAX TORQUE	39



+ WANT TO SEE IF THE VTR250 IS RIGHT FOR YOUR APPLICATION? CONTACT US FOR A DEMO AND BE CONNECTED TO YOUR LOCAL TORCUP REP.